

PRODUCT INFORMATION PACKET

Model No: 5KC36LN26X

Catalog No: C210

1/3 HP General Purpose Motor, 1 phase, 1800 RPM, 115/208-230 V, 48 Frame, ODP
Single Phase ODP Motors



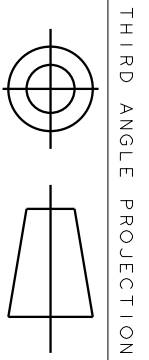
Nameplate Specifications

Output HP	0.33 Hp	Output KW	0.25 kW
Frequency	60 Hz	Voltage	115/208-230 V
Current	6.0,3.2-3.0 A	Speed	1725/1425 rpm
Service Factor	1.35	Phase	1
Efficiency	59.5 %	Power Factor	0
Duty	Continuous	Insulation Class	B
KVA Code	M	Frame	48
Enclosure	Drip Proof	Thermal Protection	AUTO
Ambient Temperature	40 °C	Drive End Bearing Size	6203
Opp Drive End Bearing Size	6203	UL	Recognized
CSA	Yes	CE	N

Technical Specifications

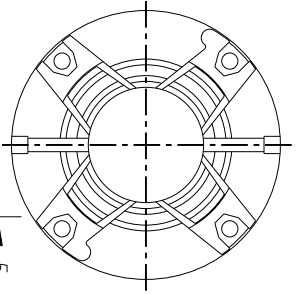
Electrical Type	Capacitor Start Induction Run	Starting Method	SM
Poles	4	Rotation	Counterclockwise/Clockwise
Mounting	Resilient Base	Motor Orientation	ANY
Drive End Bearing	BALL	Opp Drive End Bearing	Ball
Frame Material	Rolled Steel	Overall Length	10 in
Frame Length	6.22 in	Shaft Diameter	0.500 in
Shaft Extension	1.5 in		
Connection Drawing	52A105383AA	Outline Drawing	52A101469P3

This is an uncontrolled document once printed or downloaded and is subject to change without notice. Date Created:03/11/2020

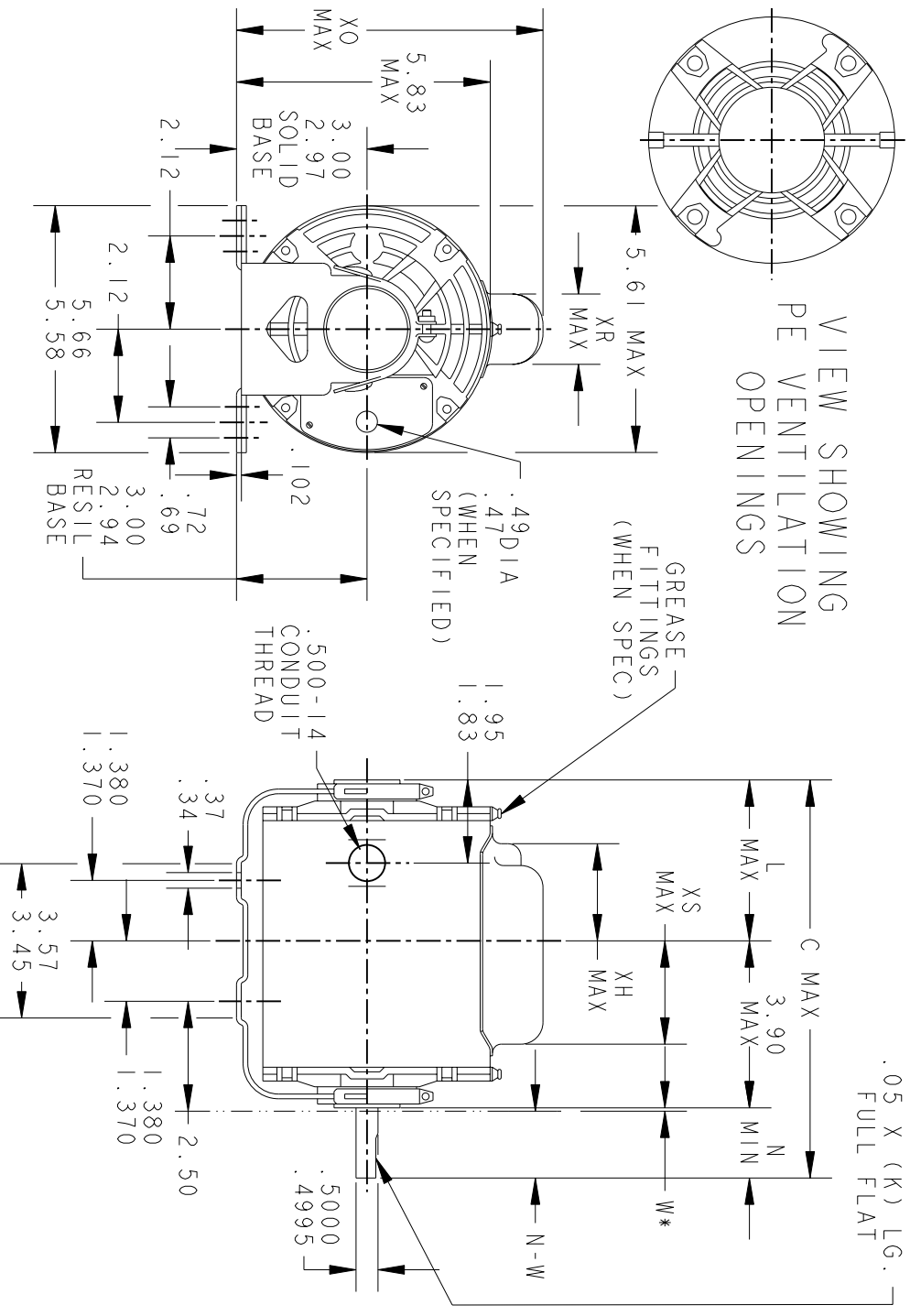


THIRD ANGLE PROJECTION

REVISIONS		DESCRIPTION	DATE	APPROVED
9	REDRAWN NO CHANGE	T196-22390	07/10/96	MDP
10	CHG TO RBC FORMAT PER IS 05-1777		12/15/05	GOVARDAN



VIEW SHOWING
PE VENTILATION
OPENINGS



*W IS A CLEARANCE DUE TO VARIATION IN PARTS & ASSEMBLY.

PT	TYPE	GE SIZE	NEMA FR	C	L	XH	XO	XR	XS	N	N-W	K
7	KC	38	48	11.00	5.65	4.02	7.31	1.60	1.75	1.50	1.63/1.41	1.16
6	KC	35	48.7	10.32	4.22	2.59	7.93	2.22	1.97	2.25	2.38/2.16	1.91
5	KC	36	48	10.00	4.65	3.02	7.93	2.22	1.22	1.50	1.63/1.41	1.16
4	KC	37	48	10.40	5.05	3.42	7.31	1.60	2.35	1.50	1.63/1.41	1.16
3	KC	36	48	10.00	4.65	3.02	7.31	1.60	2.35	1.50	1.63/1.41	1.16
2	KC	35	48	9.57	4.22	2.59	7.31	1.60	1.97	1.50	1.63/1.41	1.16
1	KC	33	48	9.19	3.84	2.21	7.31	1.60	2.35	1.50	1.63/1.41	1.16

SIGNATURES		DATE
MODEL	GLB	02/18/75
DETAIL		
CHECKED		
ENGRG		
MFG		
QUALITY		
ISSUED	MDP	07/10/96
SOLID MODEL:	52A101469	

REGAL-BELOTT CORPORATION

OUTLINE

FORM N - GENERAL PURPOSE MOTOR - DRIP PROOF - SOLID OR RESIL BASE - BALL OR SLEEVE BEARING

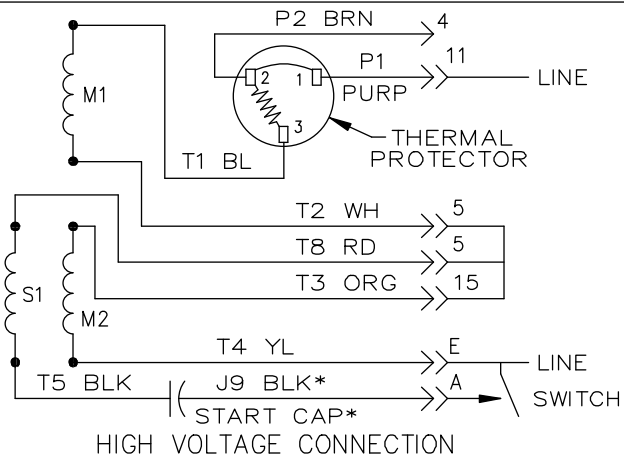
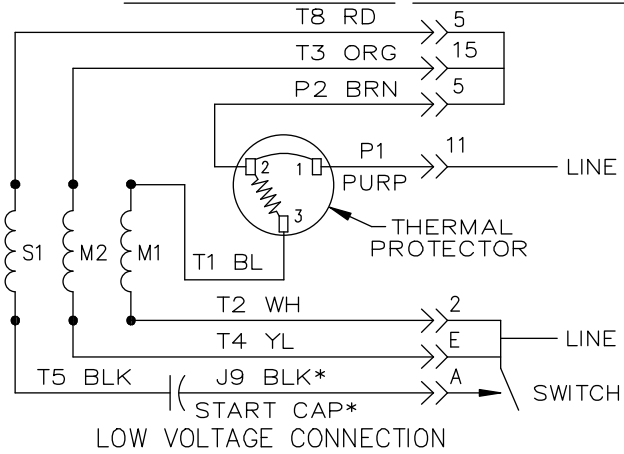
SCALE: 1.000 REF. No.: .

SIZE DRAWING A

REV 52A101469 10

SHEET 1 of 1

EITHER ROTATION, DUAL VOLTAGE, TYPE KC OR KH, WITH THERMAL PROTECTION



NOTE #1 - START CAP & J9 WHEN SPECIFIED (*). IF NO CAPACITOR (KH), CONNECT T5 DIRECTLY TO SWITCH (A). WHEN MORE THAN ONE CAPACITOR IS USED, CONNECT IN PARALLEL.

NOTE #2 - TO REVERSE ROTATION, INTER CHANGE RD(T8) AND BLK(J9-KC OR T5-KH) LEADS.

SWITCH REF. - 115D958AB	CONNECTION LABEL	CCW ROTATION: NP52X332051AA
		CW ROTATION: NP52X332051AC

NO.	REVISION	BY & DATE	CHK	TOLERANCES UNLESS SPECIFIED		FINISH	DRAWN	M.D.P	DATE			
				DEC.	INCHES							
				.X	±0.1				06/29/87			
				.XX	±0.02							
5	ADDED CONNECTION LABEL PER ECO-0030779	UD 02/06/13	PKG	.XXX	±0.005							
4	UPDATED PER ISO7-0150	MD 01/23/07		.XXXX	±0.0005							
				ANG	±1.0							
THIS DRAWING IN DESIGN AND DETAIL IS OUR PROPERTY AND MUST NOT BE USED EXCEPT IN CONNECTION WITH OUR WORK. ALL RIGHTS OF DESIGN AND INVENTION ARE RESERVED. THIS IS AN ELECTRONICALLY GENERATED DOCUMENT - DO NOT SCALE THIS PRINT							RFP	CAD FILE	52A105383AA	SIZE	DRAWING NO.	REV.
							DIST			A	52A105383AA	5



TITLE CONNECTION DIAGRAM
30 FRAME SWITCH REDESIGN